

FIG. 2C

FIG. 2B

FIG. 2A

FIG. 1
(PRIOR ART)

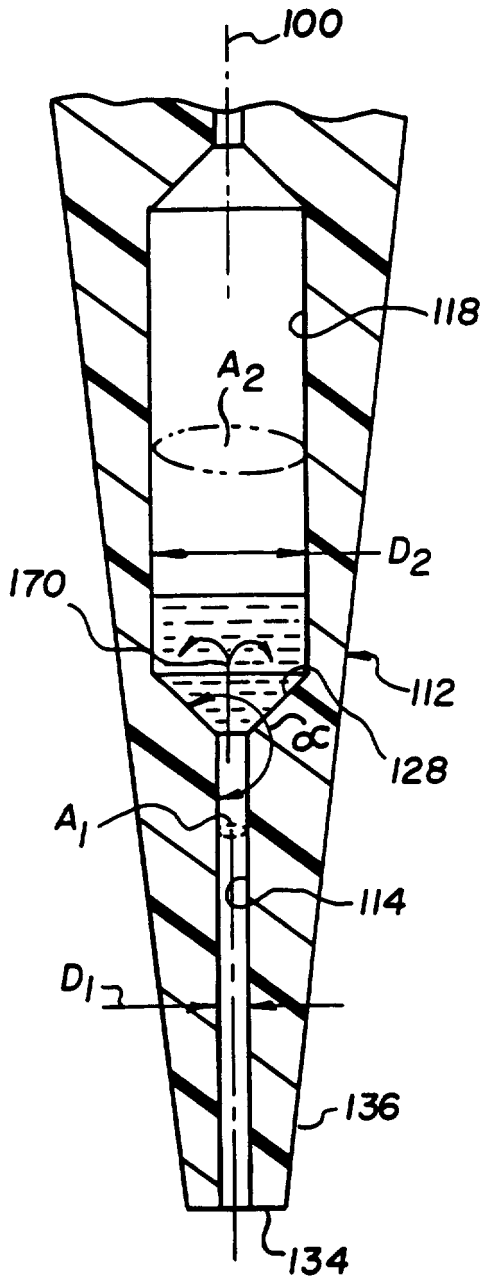


FIG. 3

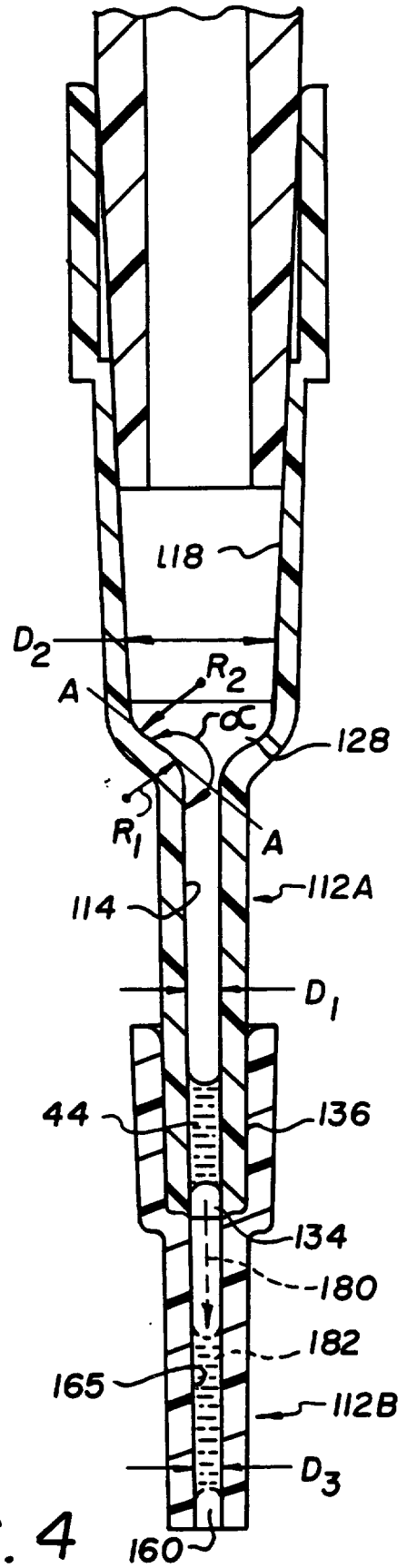


FIG. 4

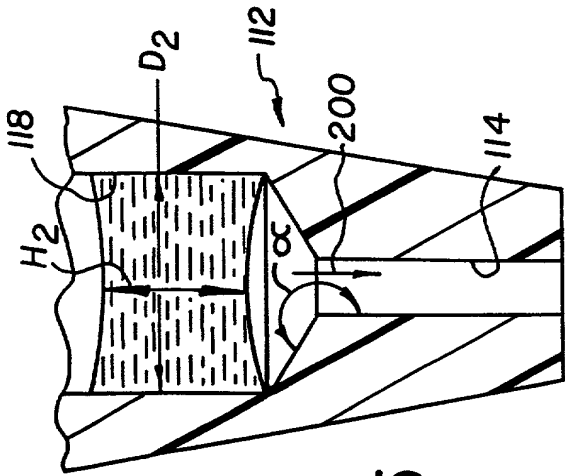


FIG. 5

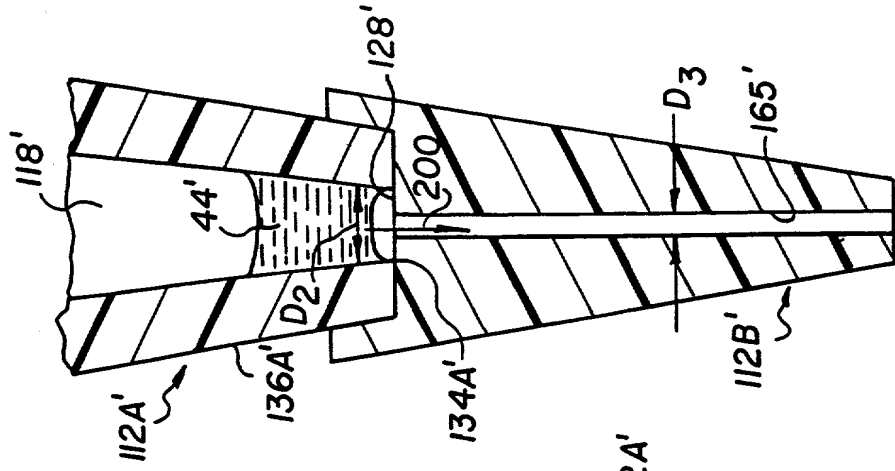


FIG. 6A

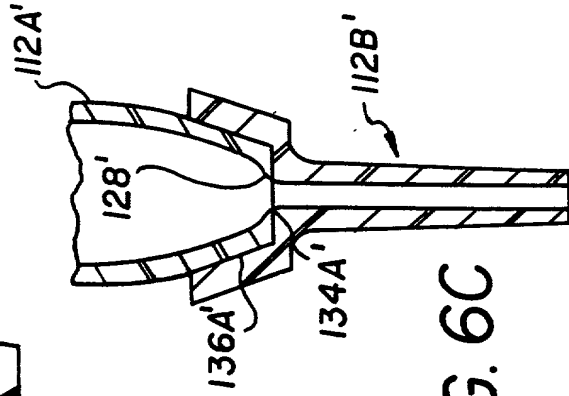


FIG. 6C

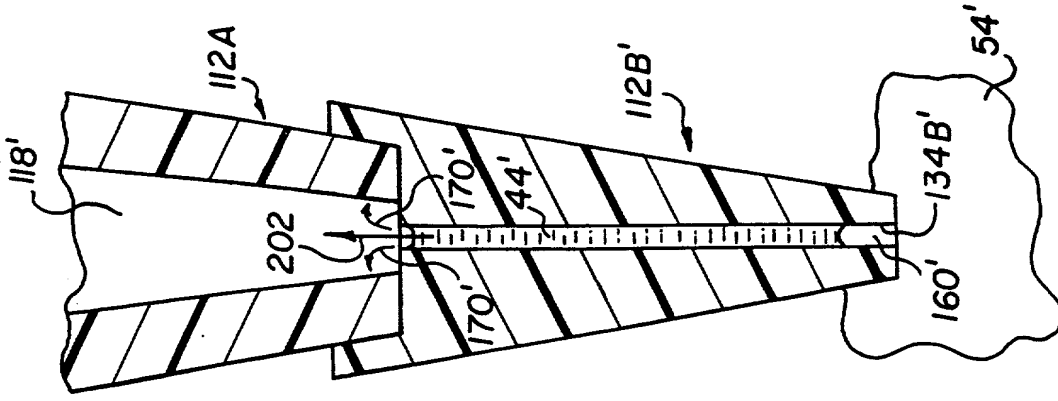


FIG. 6B

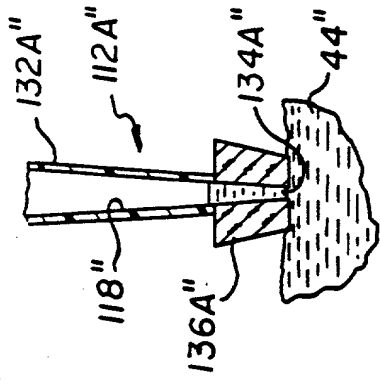


FIG. 7A

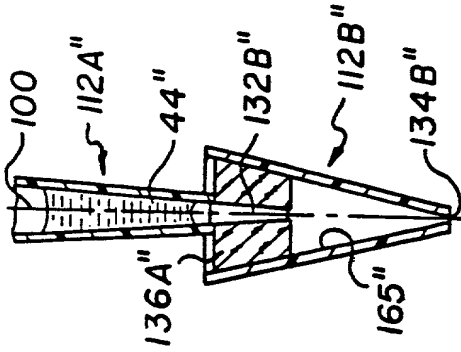


FIG. 7B

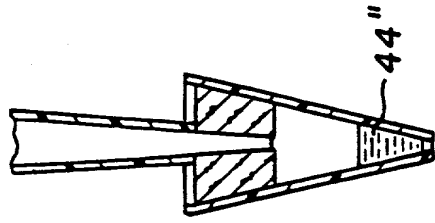


FIG. 7C

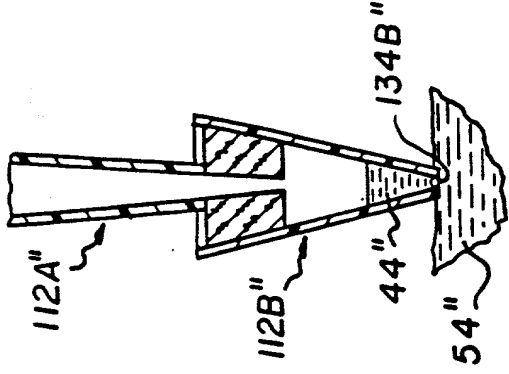


FIG. 7D

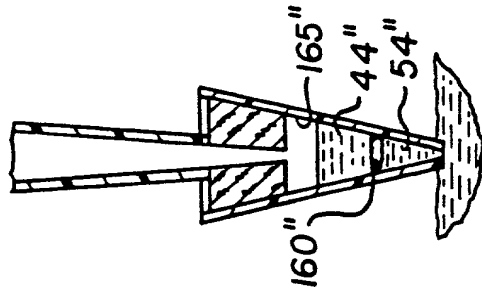


FIG. 7E

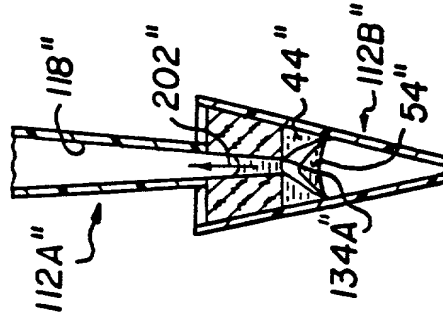


FIG. 7F

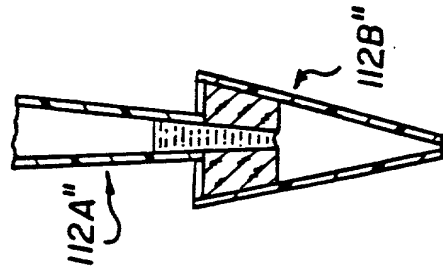


FIG. 7G

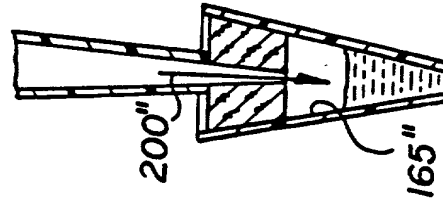


FIG. 7H

TOP SECRET 45086650

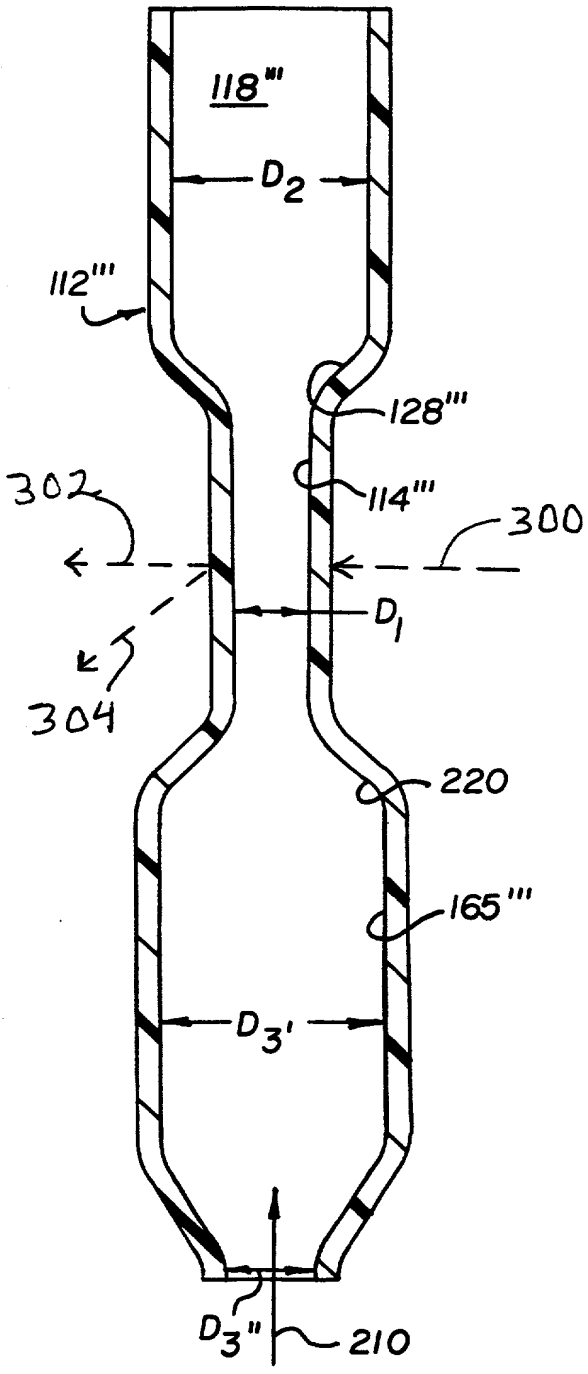


FIG. 8

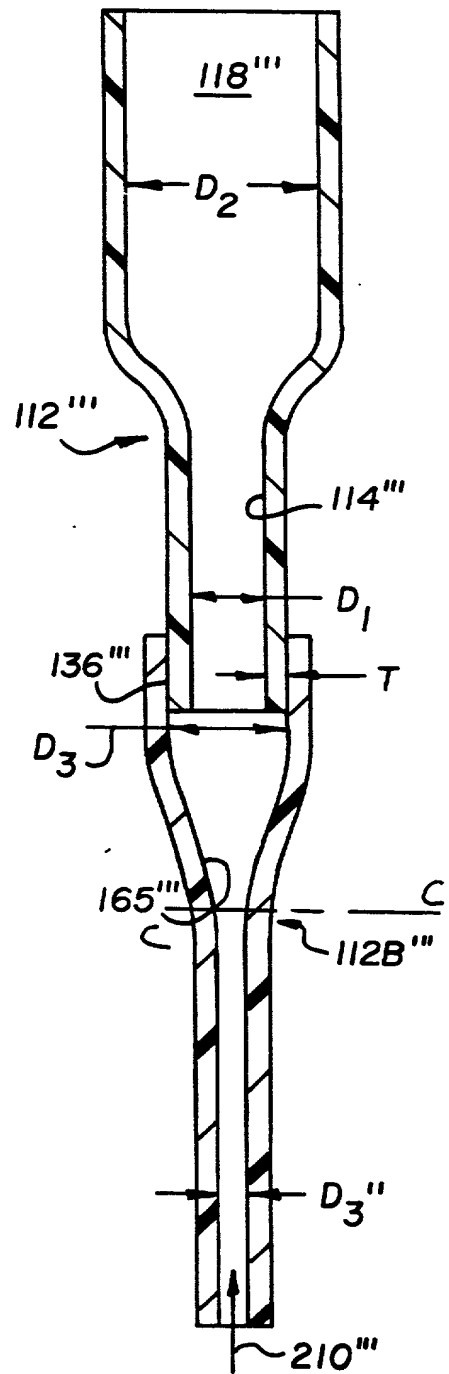


FIG. 9

TOP SECRET 4505660

Absorbance as function of scanned volume

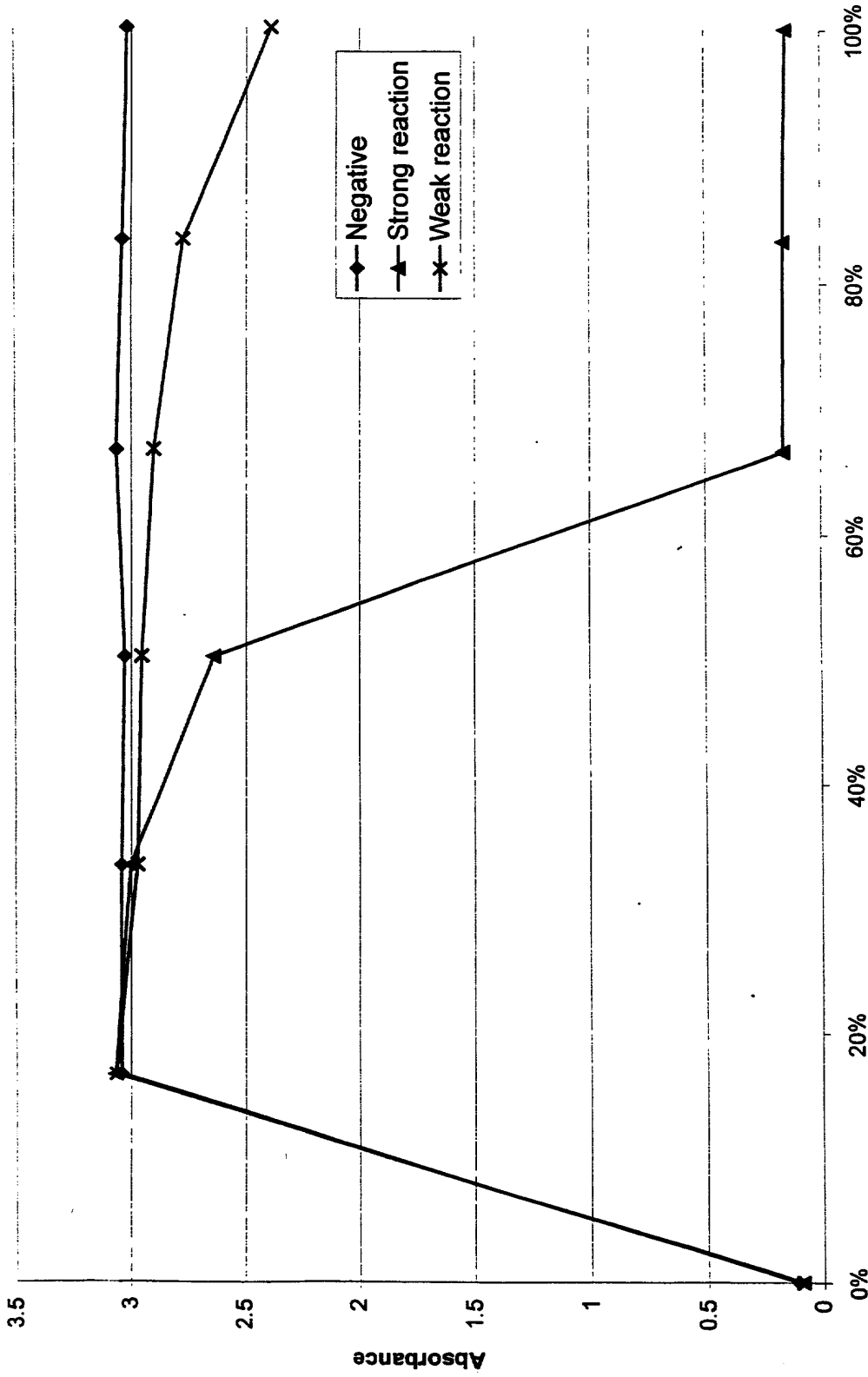


Fig. 10

Absorbance as function of scanned volume

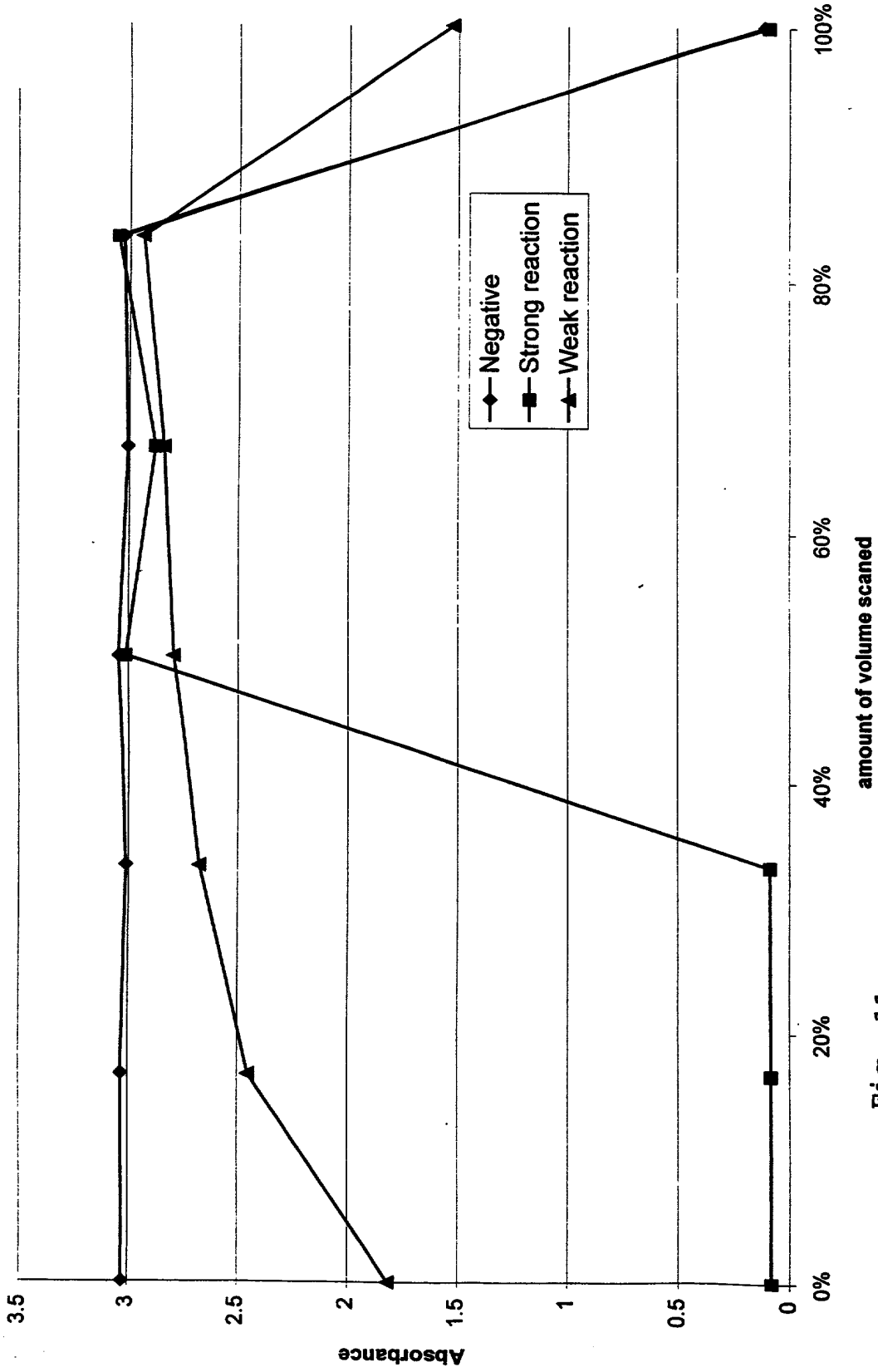


Fig. 11